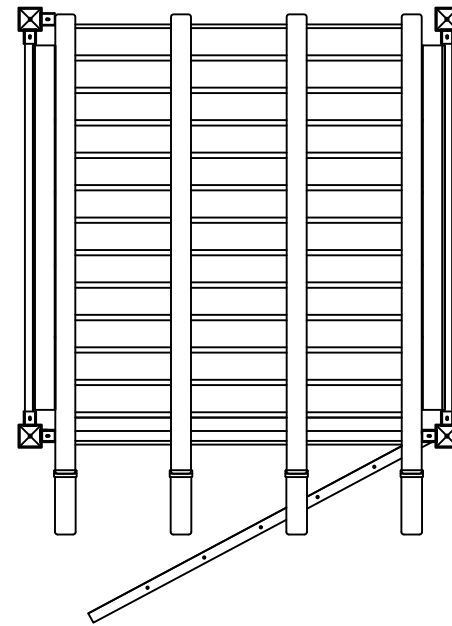
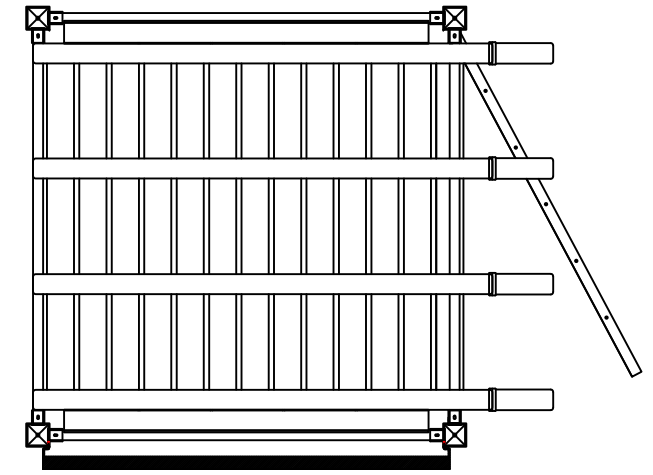


Typical Single Frame with Decking
SCALE: $\frac{5}{8}$ "=1'-0"

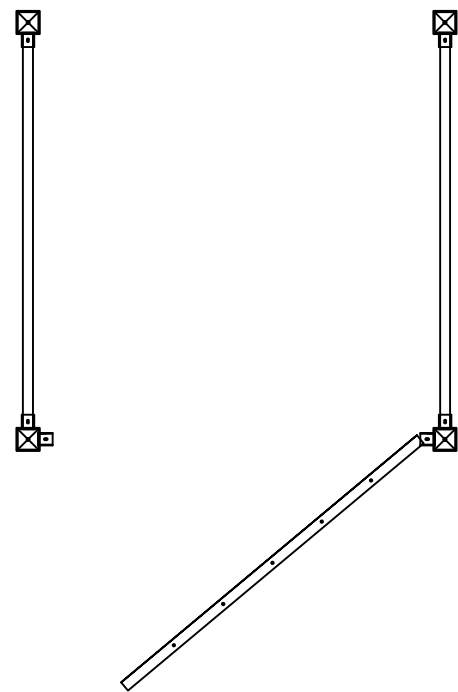


Single Model Top View
SCALE: $\frac{5}{8}$ "=1'-0"

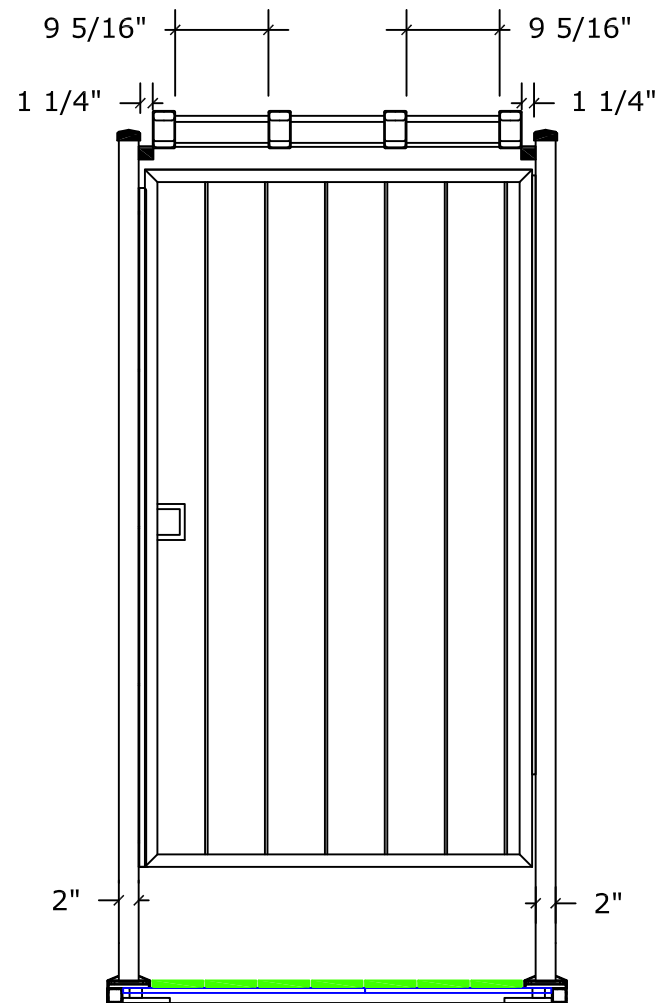


Single Model Top Left Side View
SCALE: $\frac{5}{8}$ "=1'-0"

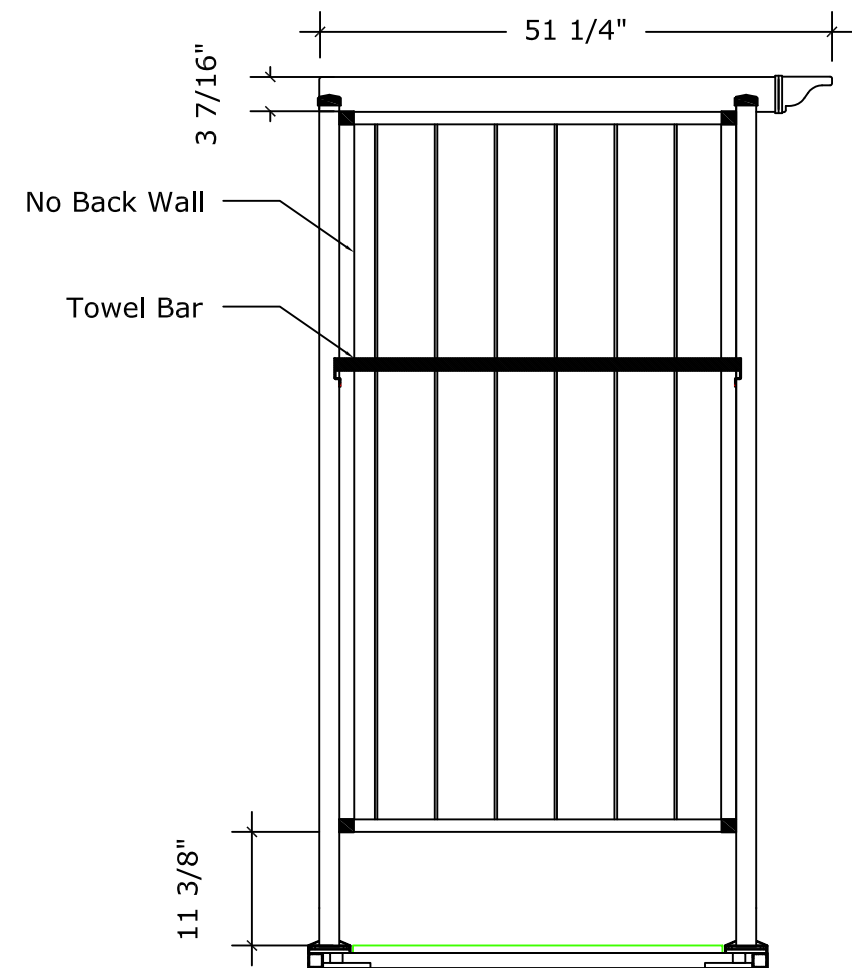
View of Layout



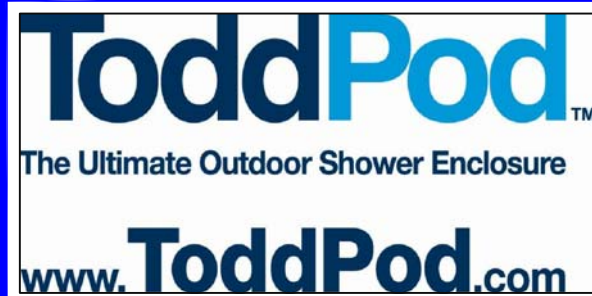
Model STP-1

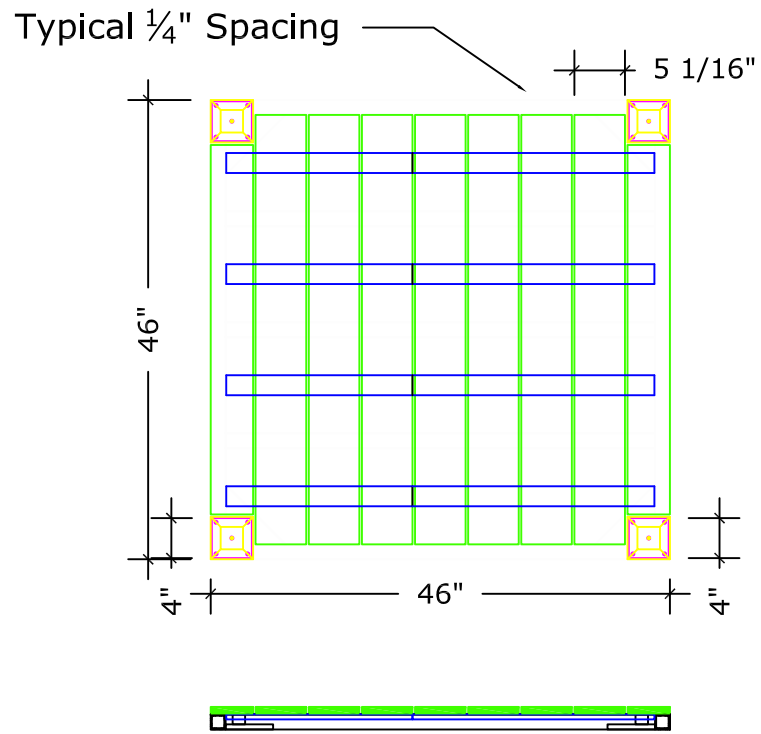


Single Model Elevation
SCALE: $\frac{5}{8}$ "=1'-0"

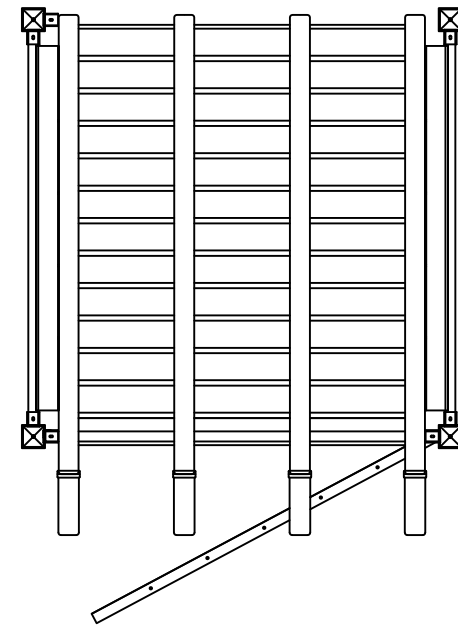


Single Model Side Elevation
SCALE: $\frac{5}{8}$ "=1'-0"

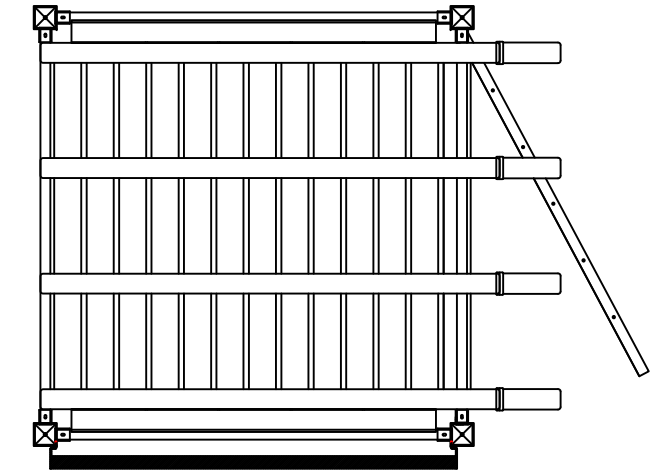




Typical Single Frame with Decking
SCALE: 3/4"=1'-0"

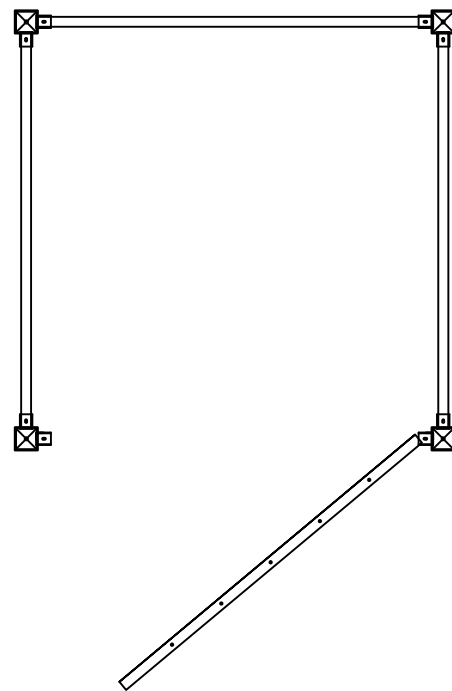


Single Model Top View
SCALE: 1 1/2"=1'-0"

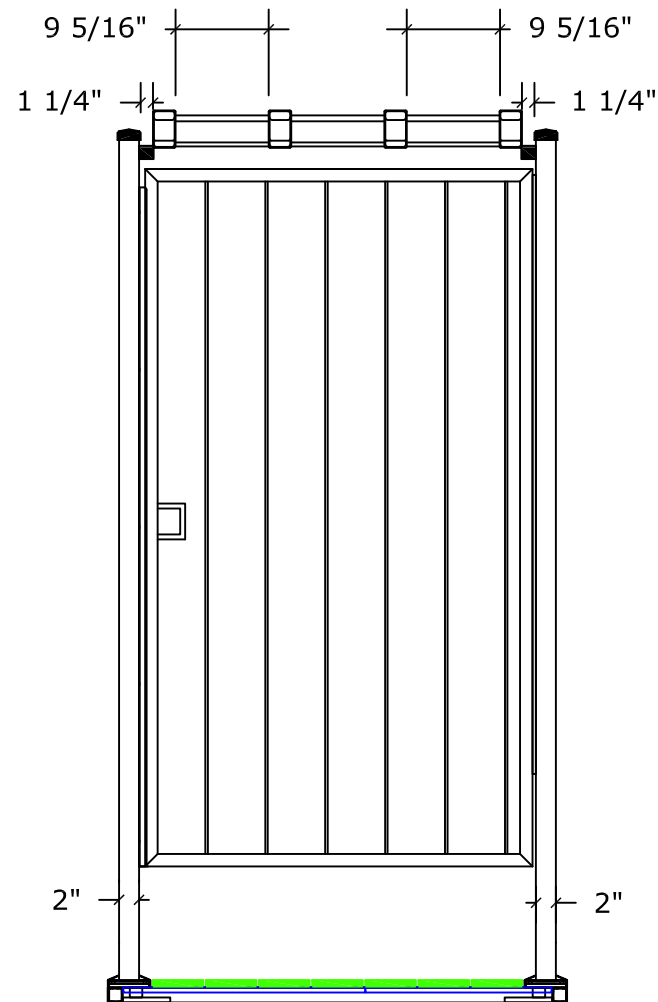


Single Model Top Left Side View
SCALE: 1 1/2"=1'-0"

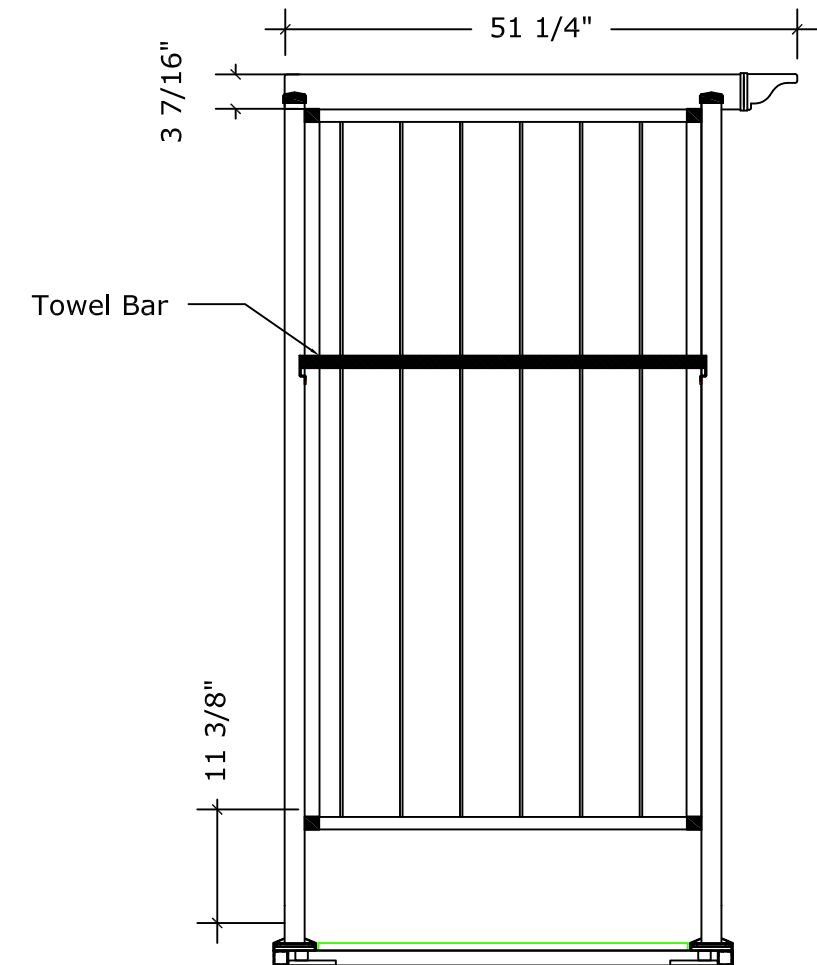
View of Layout



Model STP-2



Single Model Elevation
SCALE: 3/4"=1'-0"



Single Model Side Elevation
SCALE: 3/4"=1'-0"

