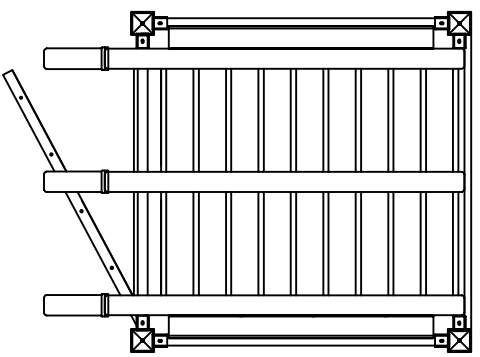
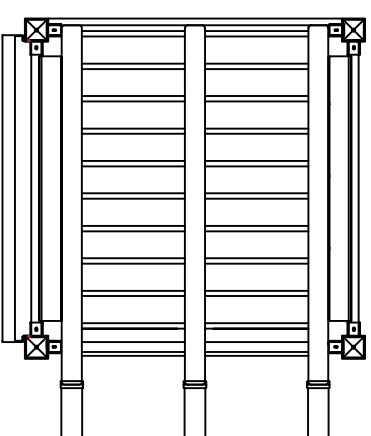


Typical Single Frame with Decking  
N.T.S.

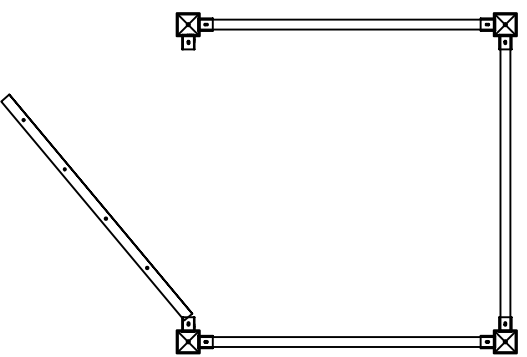


Single Model Top View  
N.T.S.

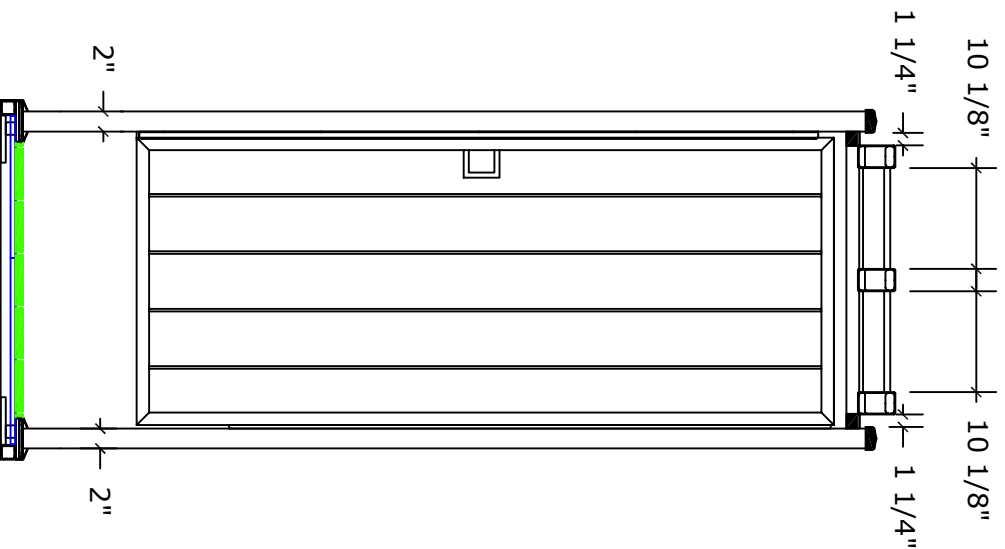


Single Model Top Left Side View  
N.T.S.

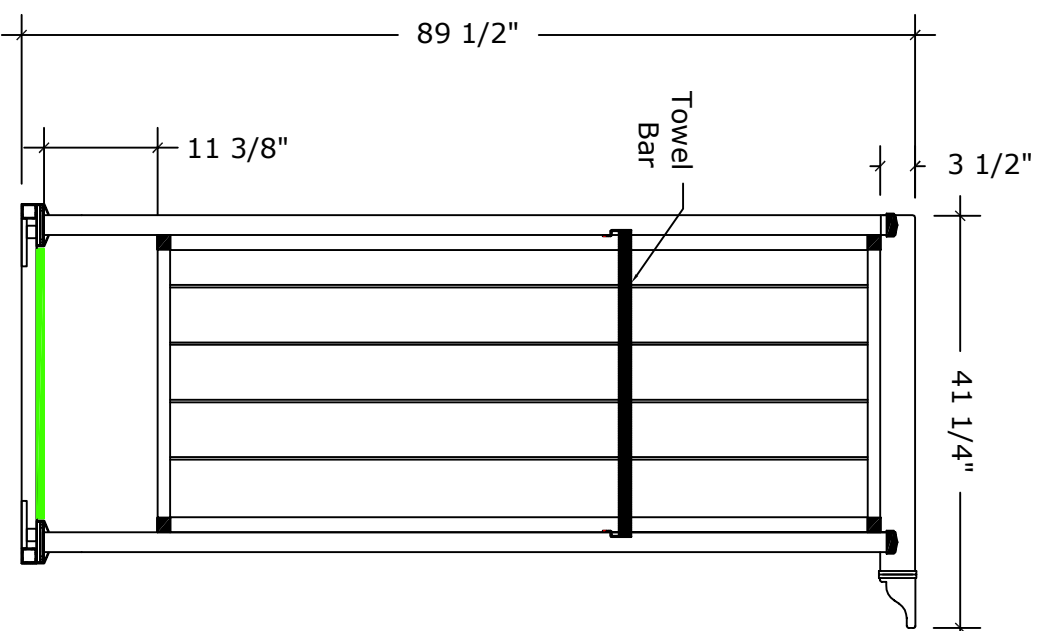
**View of Layout**



Model STP-2 (36")



Single Model Elevation  
N.T.S.



Single Model Side Elevation  
N.T.S.