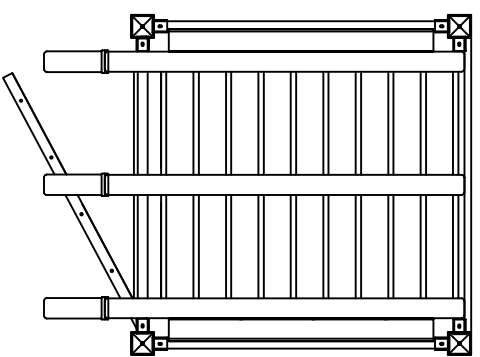
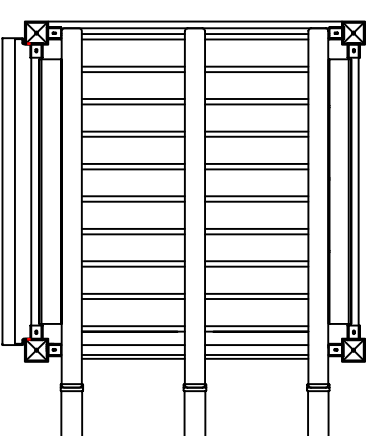


Typical Single Frame with Decking
N.T.S.

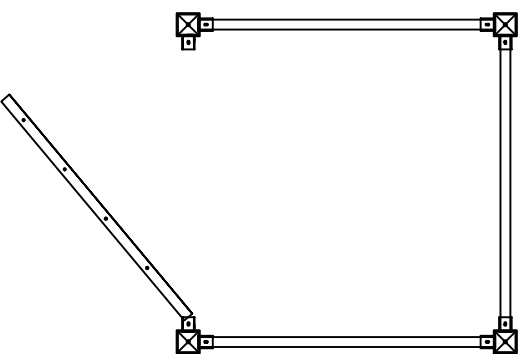


Single Model Top View
N.T.S.

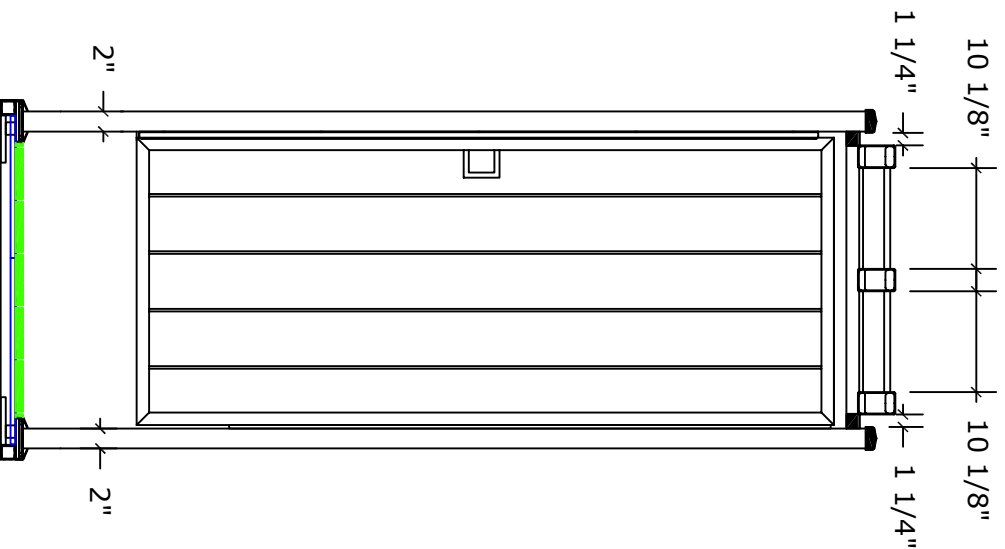


Single Model Top Left Side View
N.T.S.

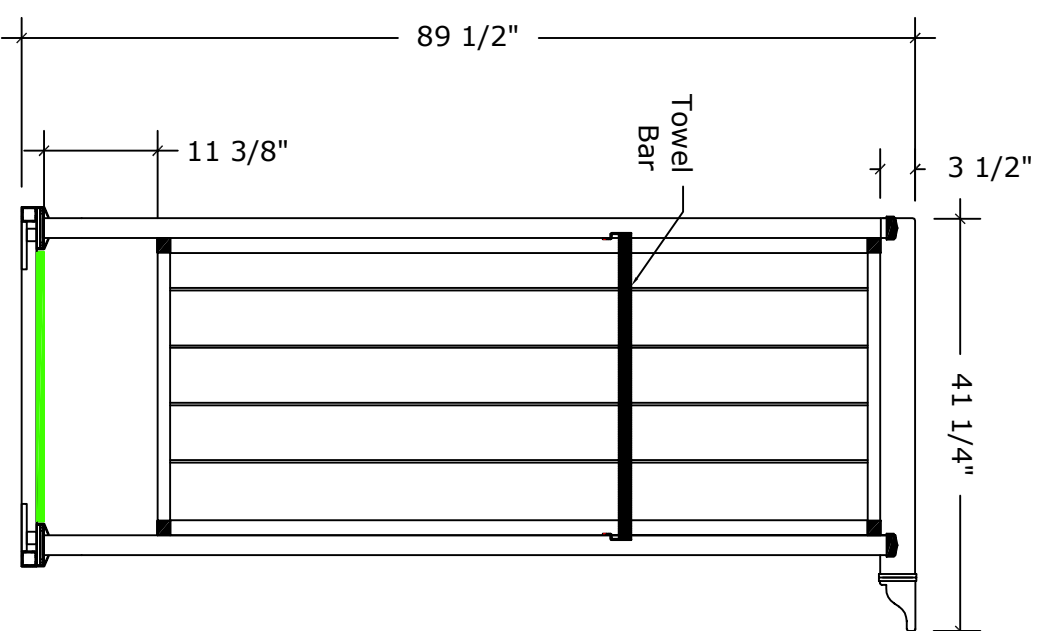
View of Layout



Model STP-2 (36")



Single Model Elevation
N.T.S.



Single Model Side Elevation
N.T.S.